

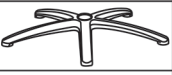

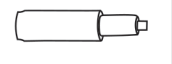

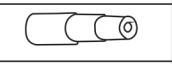



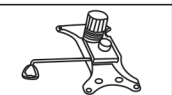


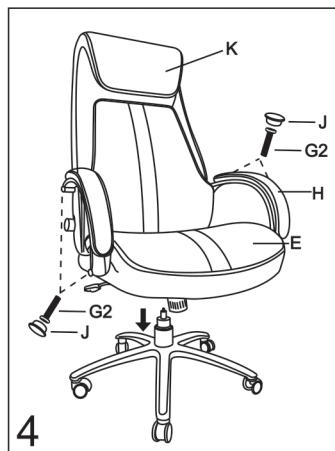
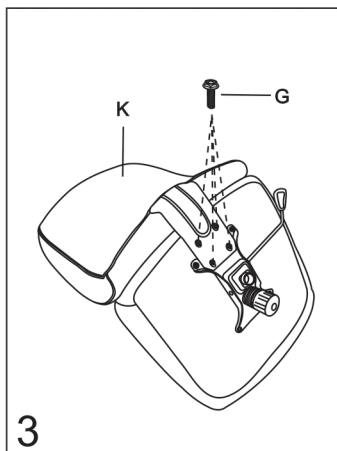
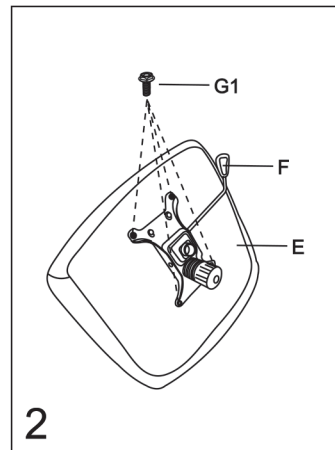
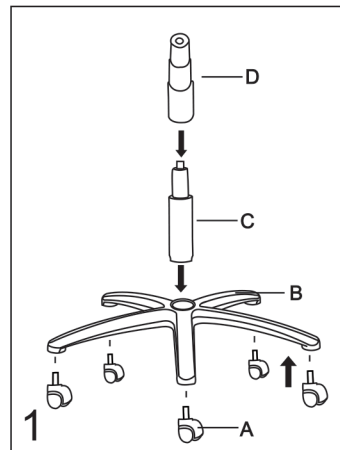


REMOVE ALL ITEMS FROM THE CARTON. VERIFY ALL PIECES BEFORE ASSEMBLY.

<b>A</b>		5	<b>G</b>	 5/16*30mm	4
<b>B</b>		1	<b>G1</b>	 5/16*20mm	4
<b>C</b>		1	<b>G2</b>	 5/16*50mm	4
<b>D</b>		1	<b>H</b>		2
<b>E</b>		1	<b>J</b>		4
<b>F</b>		1	<b>K</b>		1
			<b>L</b>	 5#	1



### PREVENTIVE MAINTENANCE AND WARNING

- USE THIS PRODUCT ONLY FOR SEATING ONE PERSON AT A TIME
- DO NOT USE CHAIR AS STEP STOOL/LADDER.  
DO NOT USE CHAIR UNLESS ALL BOLTS, SCREWS ARE TIGHT. AT LEAST EVERY SIX MONTHS, CHECK ALL BOLTS, SCREWS TO BE SURE THEY ARE TIGHT.
- IF ANY PARTS ARE MISSING, BROKEN, DAMAGED OR WORN, STOP USE OF THE PRODUCT UNTIL REPAIRS ARE MADE USING FACTORY AUTHORIZED PARTS.
- FAILURE TO FOLLOW THESE WARNINGS CAN RESULT IN SERIOUS INJURY.